



B 200 H
B 200 H iLink®

MÁXIMA EFICIENCIA PARA LA LIMPIEZA URBANA
MAXIMUM EFFICIENCY FOR URBAN CLEANING
KEHRFAHRZEUG FÜR DIE KOMMUNE UND DEN DIENSTLEISTER
LA NOUVELLE SOLUTION POUR LE NETTOYAGE DES RUES



A.F.S
AUSA Fuel Saving

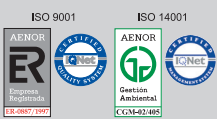


B 200 H iLink®



AUSA Center, S.L.
Ctra. de Vic Km 2.8
08243 Manresa
BARCELONA (ESPAÑA)
Tel.: +34 93 874 73 11
E-mail: ausa@ausa.com
www.ausa.com

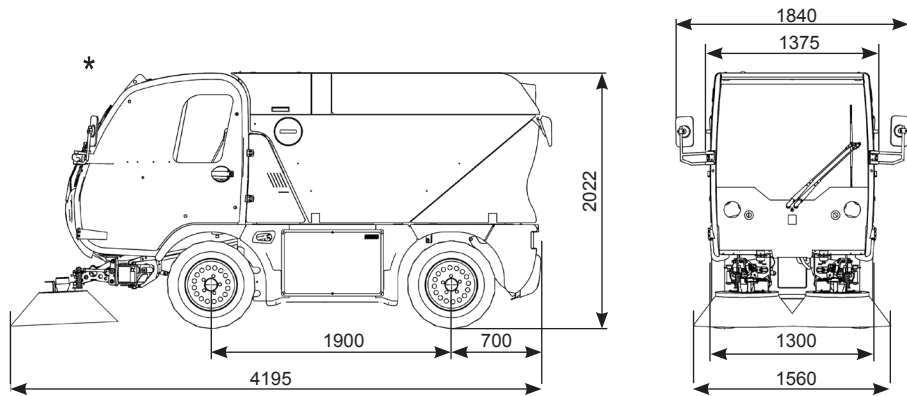
AUSA Madrid Pol. Ind. Coslada - C. Marconi 15-17, 28823 Coslada - MADRID (ESPAÑA) - Tel.: +34 91 669 00 06 - E-mail: ausa.madrid@ausa.com
AUSA France Z.I. Saint Charles - Rue de Zürich, 66000 PERPIGNAN (FRANCE) - Tel.: +33 (0) 4 68 54 38 97 - E-mail: ausa.france@ausa.com
AUSA Deutschland Tel.: +49 (0) 2384 9889905 - E-mail: ausa.deutschland@ausa.com
AUSA UK Tel.: +44 (0) 7970639988 - E-mail: ausa.uk@ausa.com
AUSA Brasil Avenida Belizario Ramos 2276 - Lages - SC, 88506-000 (BRASIL) - Tel.: +55 11 9 8786 6014 - E-mail: ausa.brasil@ausa.com
AUSAMéxico Calzada Vallejo 725 Del. Gustavo A. Madero - 07750 México D.F. (MÉXICO) - Tel.: +52 (55) 21669276 - E-mail: ausa.mexico@ausa.com
AUSA U.S. CORP. Tel.: +1 (917) 328 0770 - E-mail: ausa.us@ausa.com
AUSA Beijing Rep. Office Room 403, Moma Building, N.199 - Chaoyang bei road, Chaoyang District - 100026 BEIJING (CHINA)
Tel.: +86 10 8598 7386 - E-mail: ausa.china@ausa.com



B 200 H
B 200 H iLink®

AUSA

www.ausa.com



B 200 H / B 200 H iLink®

TECHNICAL SPECIFICATIONS

		4x2x2	4x2x4	4x4x4 (FlowTrack®)
Waste Hopper	Capacity	2 m ³		
	Dump Height	1580 mm		
	Discharge Type	Rear tilting		
	Material	Stainless Steel		
Water Tank	Capacity	300l		
	Material	HDPE Rotomoulding		
Turbine	Max Flow	9000 m ³ /h at 2250 rpm		
	Flow at optimal working speed	6000 m ³ /h at 1500 rpm		
	Turbine speed	Hydraulic control on turbine speed		
	Fan material	Steel - optionally Stainless Steel		
Suction Nozzle	Nozzle width	800 mm		
	Material	Stainless Steel		
Brush System	Type	2 independent brushes with control on width and height of brushing area		
	Wear adjustment	Auto adjustable		
	Floor load	2 modes - Hydraulically controlled or mechanical floating system with weight compensation		
	Brush speed	Hydraulic control		
	Effective Sweeping width	2200 mm		
	Max Sweeping width	2500 mm		
	Brush diameter	850 mm		
	Type of brush	Mix Steel - Nylon with fast coupling system		
Maneuverability	External turning radius	3900 mm		2760 mm
	Internal turning radius	1400 mm		1050 mm
Engine	Make	VOLKSWAGEN		
	Type	2.0 TDI		
	Emissions	Euro 5		
	Power	75 -102 (3000 rpm) kW-CV		
	N. Of Cylinders	4		
	Cooling system	Liquid with variable speed fan and auto cleaning system		
	Fuel	Diesel		
	Tank capacity	60 l		
Transmission	Type	2 speed hydrostatic Rexroth with wheel engines on rear axle		
	Max speed	40 km/h		
	Max working speed	25 km/h		
	Gradient negotiable	27% at full load (30% at 4500 kg)		37% at full load
Brakes	Traction	2WD with front wheel steering	4 wheel steering	Permanent 4wd and 4 wheel steering FlowTrack®
	Service	Servo assisted brake, disk brake on front wheels and drum brakes on rear wheels		
Steering	Parking	Mechanical brake on rear axis		
	Type	Orbitrol hydraulic steering		
Suspension	Modes	Front		Front / Front + Rear
	Front	Hydraulic damper & helicoidal spring		
Weight	Rear	Hydraulic damper, helicoidal spring & anti roll bar		
	Unloaded weight *	2965 kg		3005 kg
	Gross weight	5000 kg		

STANDARD EQUIPMENT

- High visibility cabin with inspection windows for Nozzle and Brushes
- Driver seat with suspension / Driver position on the right side of the vehicle
- Adjustable passenger seat
- Steering wheel with regulation on height and depth
- High capacity heater
- Electronic control for the speed of the engine
- Electronic control for the speed of the vehicle
- Sweeping control system with proportional joysticks
- Hopper filtration system with chains for leaf sweeping
- Radio pre-installation
- Approved lighting equipment with rotating beacon and 3 LED flashing lights on the back
- AUSA fuel saving system (ASF)

OPTIONAL EQUIPMENT

- 3rd broom 850 m (overall width sweeping 2.850 mm)
- Manual and extensible suction hose (4,5m)
- Water high pressure equipment (10m hose; 150 bar)
- Sweeping water recycling system
- Rear and Nozzle cameras
- Driver seat with pneumatic suspension / Left hand drive (LHD)
- Electrically adjustable rear mirrors with heater / LED Working lights on the top of cabin
- Air conditioning / Radio CD / MP3 / Bluetooth
- Broom working lights for night work
- Snow-blade width 1500 mm with fast removable broom system
- Water washer bar (spraying width 1500 mm) with water tank capacity 2000l (Mod. B 200 H iLink®System)
- Three way hydraulic tipping body 1840x1300x420mm (Mod. B 200 H iLink®System)
- Pole for high pressure water cleaning (Mod. B 200 H iLink®System)
- Salt spreader capacity 1m³ (Mod. B 200 H iLink®System)
- LINK® System for the fast coupling / uncoupling of hopper, brushes and mouth (Mod. B 200 H iLink®System)